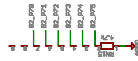
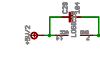
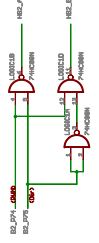
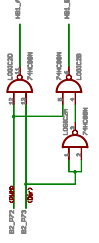
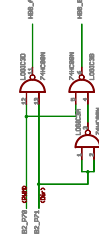
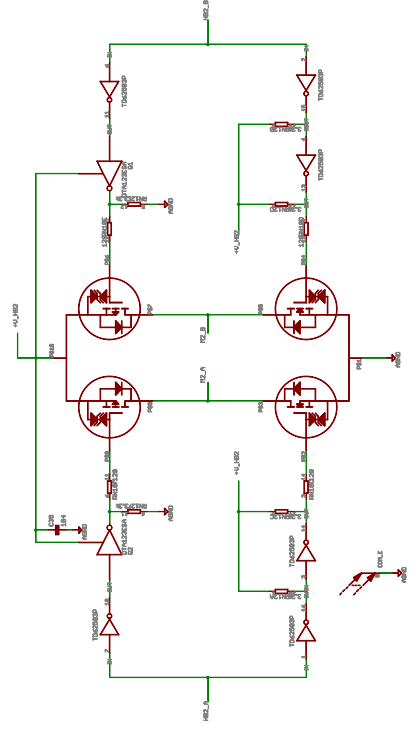
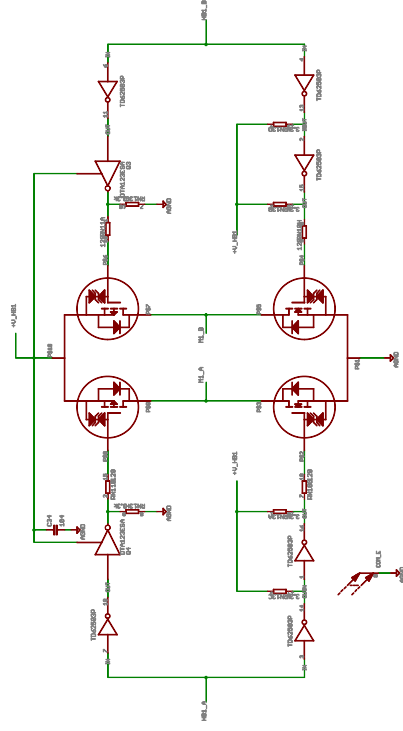
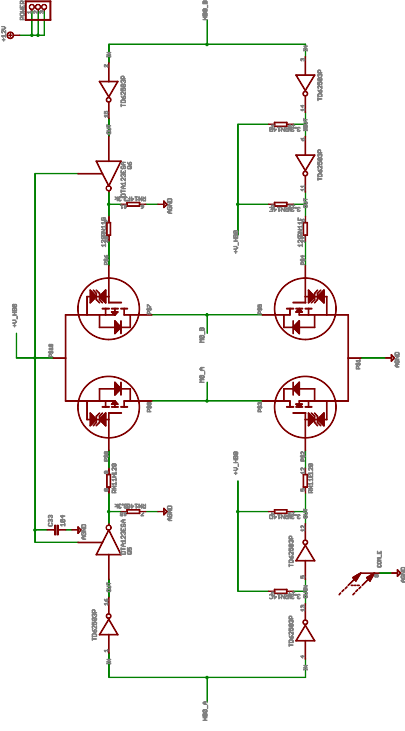
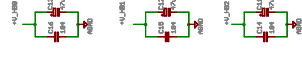
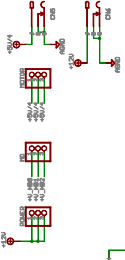
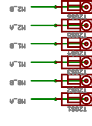
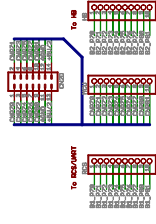
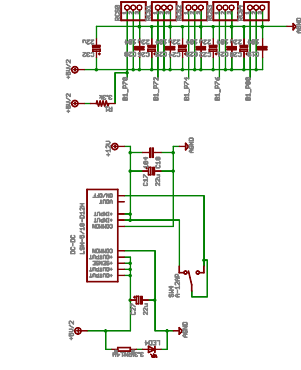
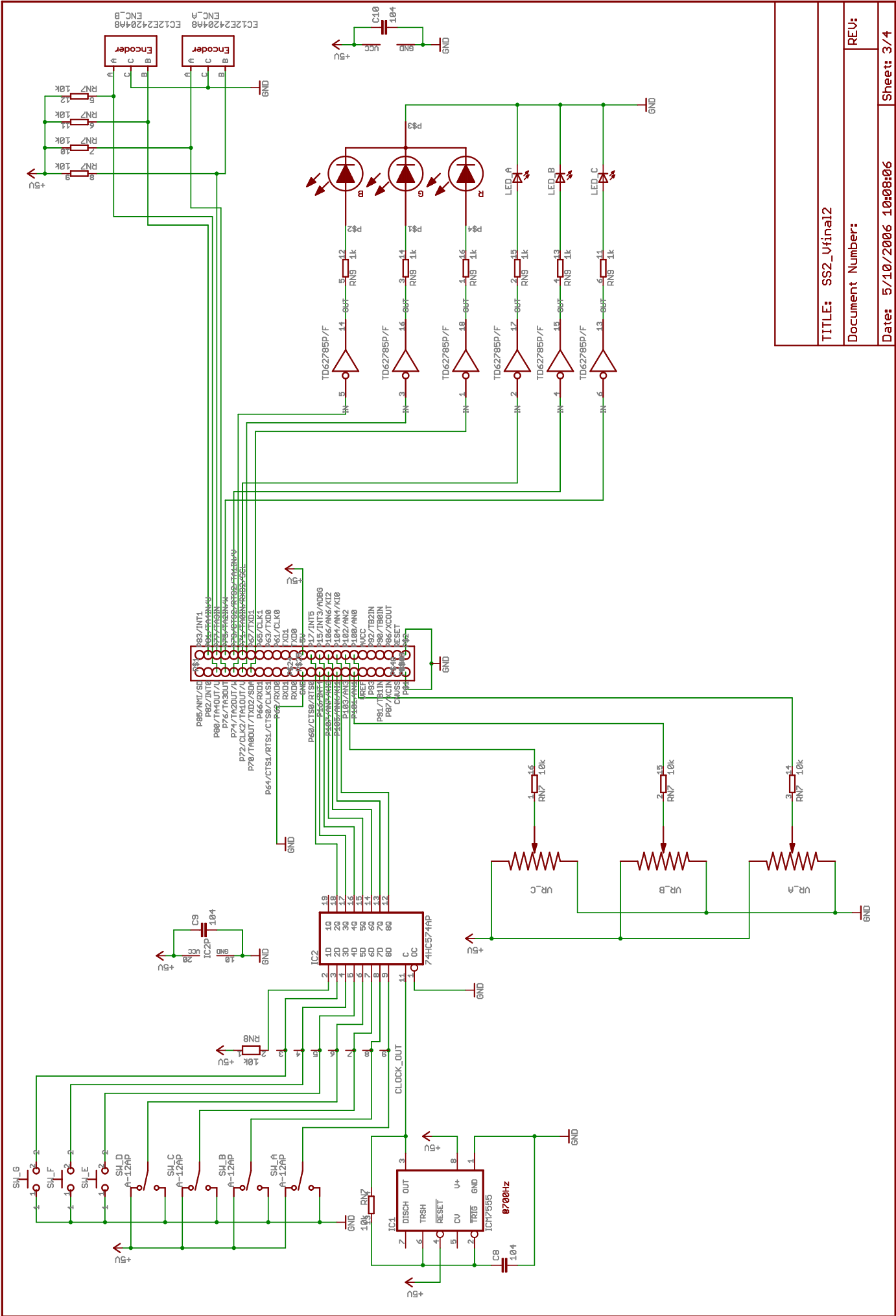


TITLE: SS2_Ufinal2	
Document Number:	
Date: 5/10/2006 10:08:06	Sheet: 1/4

REV:





TITLE: SS2_Vfinal2	
Document Number:	
Date: 5/10/2006 10:08:06	Sheet: 3/4

REV: